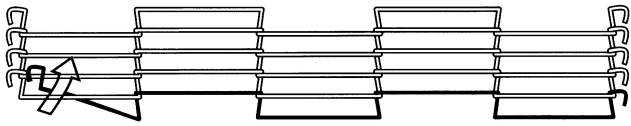


# MANUAL ENDLESS PROCEDURE

## ● PREPARE 2 Needlenose Pliers

### STEP 1

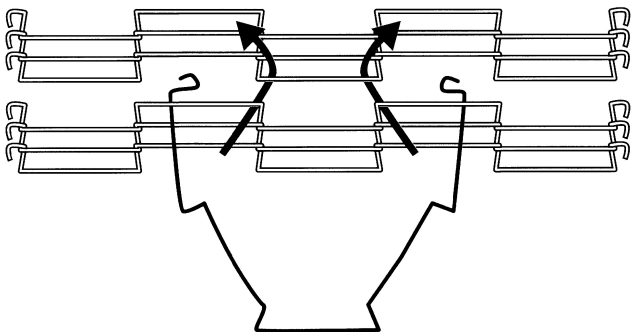


**Travel Direction**

Remove one piece of wire rod from tail end of belt.

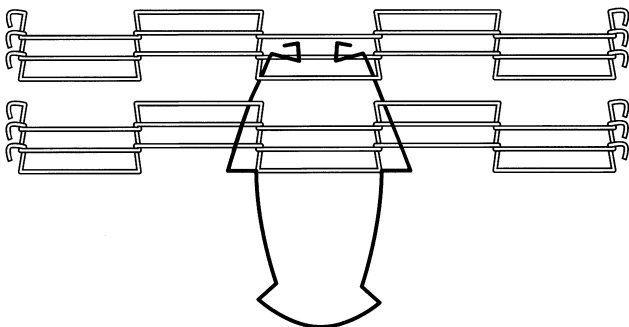
Check the strand direction. The end loop of strand should be in the same direction as the belt end loops.

### STEP 2



Bend and Insert the strand in the center of space of wire belt.

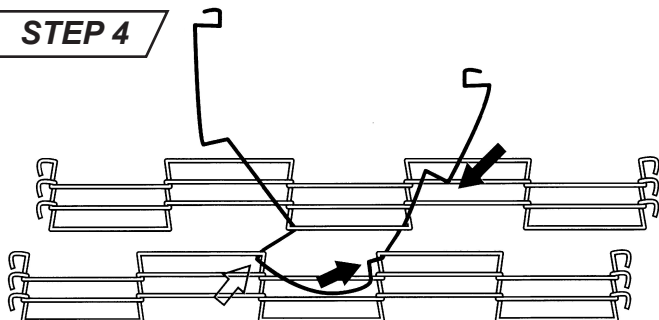
### STEP 3



Let the straight part of strand bend and curve to interweave the belt.

**!** Try not to twist and deform the shape of Z-bend.

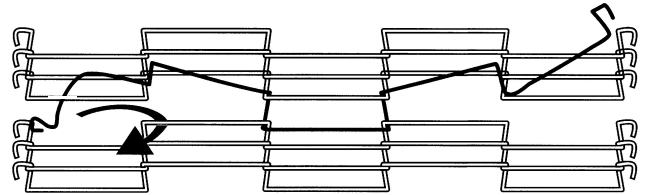
### STEP 4



Insert ( ↗ ) arrow marked and push the other side into the belt. Interlock it at ( ↘ ) arrow marked point with two pliers.



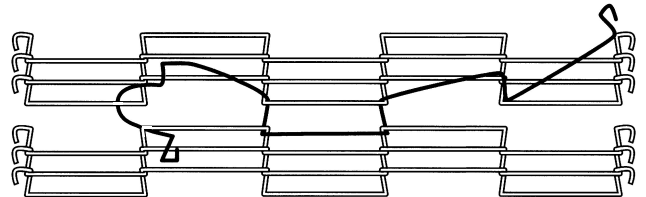
### STEP 5



Straighten the center space of strand.

Insert one side of strands to interlock 2nd space next to center space.

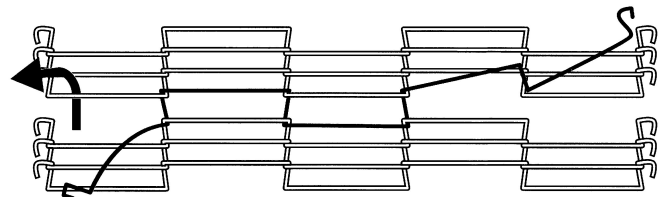
### STEP 6



Insert around Z-bend as illustrated to interlock perfectly. Straighten the wire.

Repeat this procedure till the last space next to end loop.

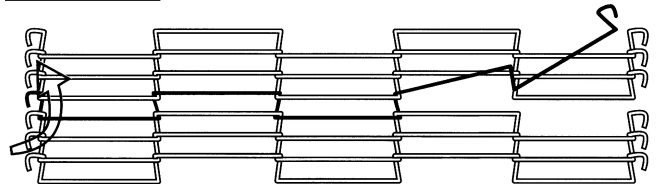
### STEP 7



Straighten the wire belt roughly.

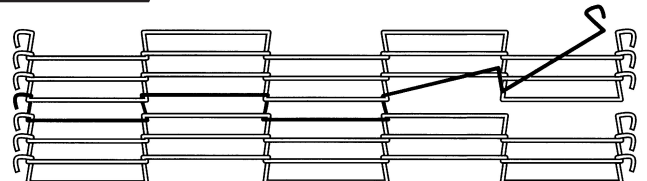
Finish the endless one side completely before starting the opposite side.

### STEP 8



Put the end loop into the way directed by arrow, and hoop up with another end loop.

### STEP 9



Do the same procedure for the other side of belt and straighten the rod completely.